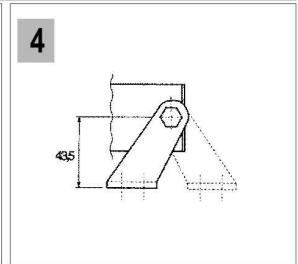
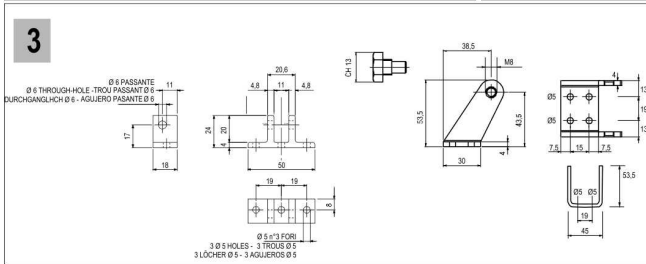
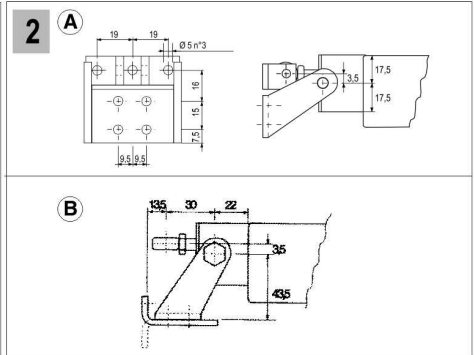
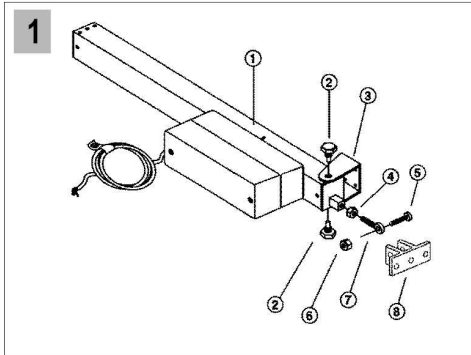
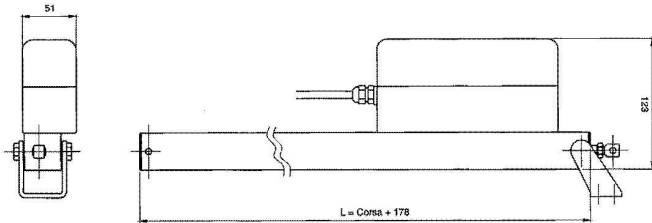


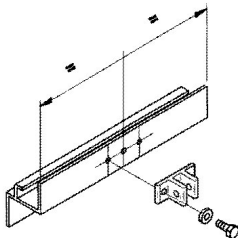


# APRILINEARE

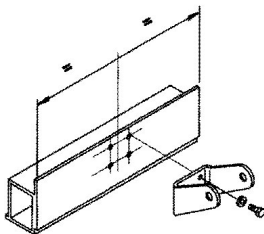
## OPERATOR DIMENSIONS



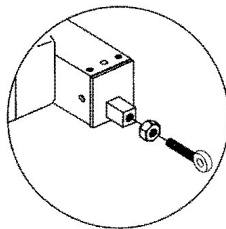
5 A



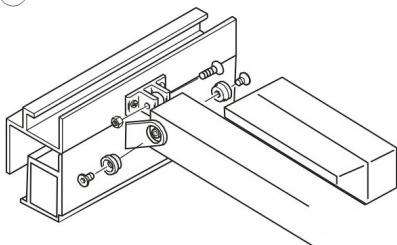
B



C



D



6 A

230 V

Neutro, Neutral, Neutre,  
Mittelleiter, Neutro

230 V

Fase, Phase, Phase,  
Phase, Fase

B 24 V

